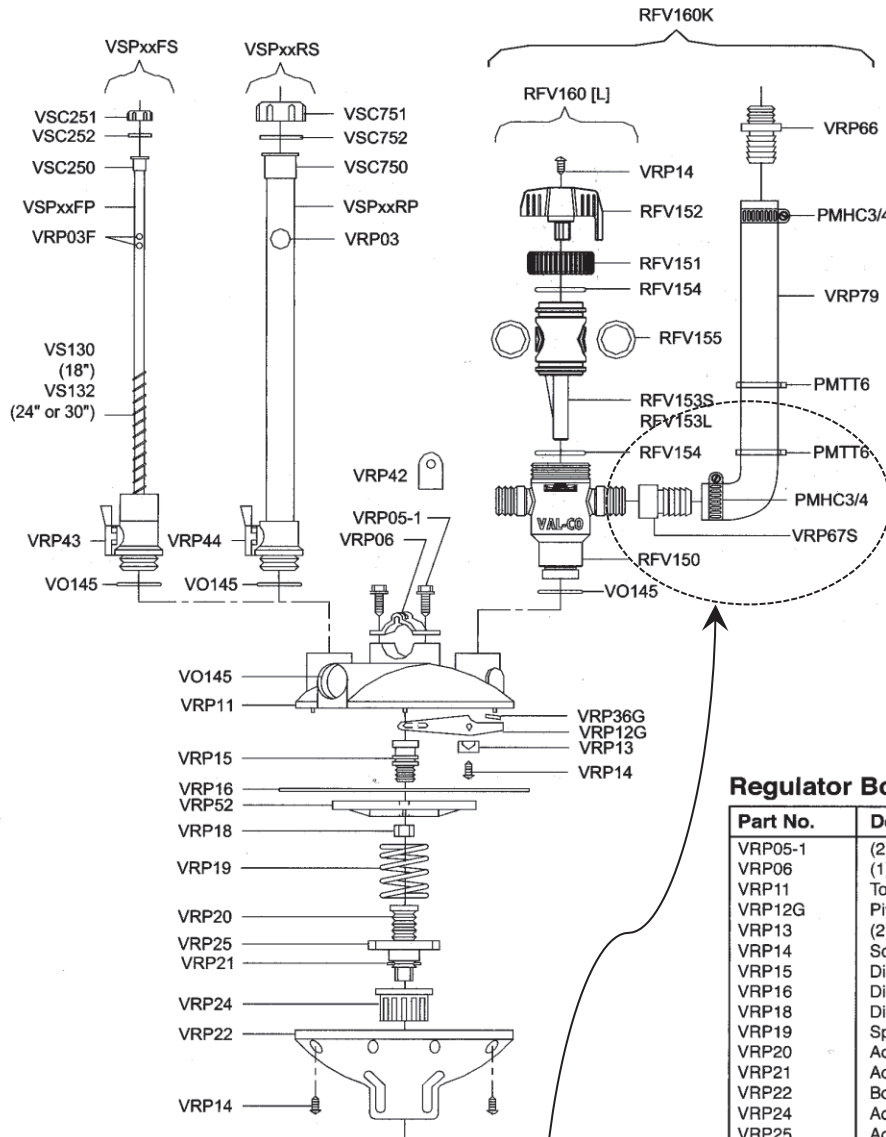


VR-202
V-MAX REGULATOR KIT
WITH RFV160K 3-POSITION INTAKE



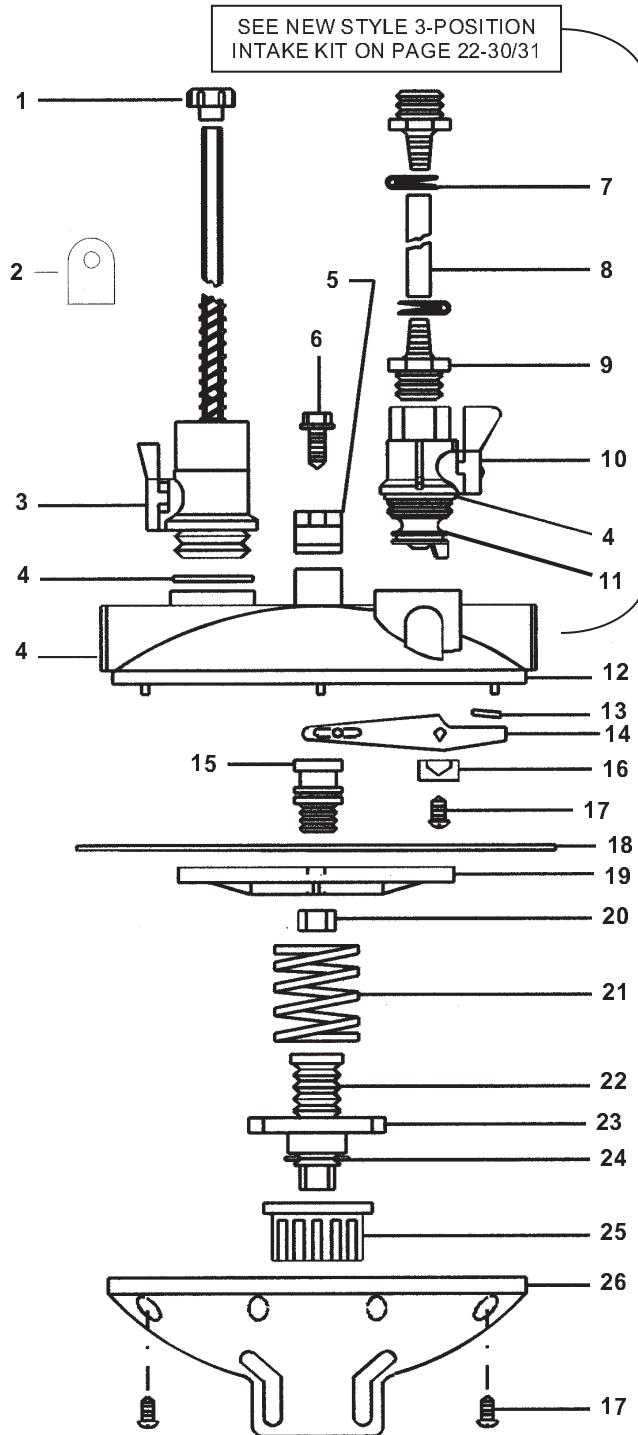
Part No.	Description
RFV160K	Regulator Flushing Intake Kit
RFV160	Regulator Flushing Intake Only
RFV150	Flushing Intake Housing
RFV151	Flushing Intake Cap
RFV152	Flushing Intake Handle
RFV153S	Flushing Intake Shaft High Pressure
RFV153L	Flushing Intake Shaft Low Pressure
RFV154	(2) Large O-Ring for RFV153
RFV155	(2) Small O-Ring for RFV153
VRP14	Screws [(2) Pivot Bracket & (9) Bottom Housing & (1) Intake]
VRP79	(10) 3/4" ID Yellow Hose
VRP66	3/4" Barb x 1/2" Male NPT Straight Fitting
VRP67S	3/4" Barb x 3/4" Female NPT
PMHC3/4	(2) 3/4" Hose Clamp
VO145	O-Ring for 3/4" Couplings
PMTT6	(2) Wire Ties
VSPxxRS	xx" Rigid SP w/Shutoff Ball & Cap
VRP03	Blue Rigid Standpipe Ball
VRP44	Shutoff for Rigid Standpipe
VSPxxRP	xx" Rigid SP Tube Only
VSC750	Body for Rigid Standpipe Cap
VSC751	Cap for Rigid Standpipe
VSC752	Seal for Rigid Standpipe
VO145	O-Ring for 3/4" Couplings
VSPxxFS	xx" Flex SP w/Shutoff Ball & Cap
VRP03F	(2) Blue Flex Standpipe Ball
VRP43	Shutoff for Flex Standpipe
VS130	Spring for 18" Flex Standpipe
VS132	Spring for 24" or 30" Flex Standpipe
VSPxxFP	xx" Flex SP Tube Only
VSC250	Body for Flex Standpipe Cap
VSC251	Cap for Flex Standpipe
VSC252	Seal for Flex Standpipe
VO145	O-Ring for 3/4" Couplings

Regulator Body 12002

Part No.	Description
VRP05-1	(2) Screws for Pipe Clamp/Filter Bracket
VRP06	(1) Pipe Clamp
VRP11	Top Housing, VR202 Regulator
VRP12G	Pivot - New Style
VRP13	(2) Pivot Brackets - <i>must purchase in multiples of 2</i>
VRP14	Screws [(2) Pivot Bracket & (9) Bottom Housing & (1) Intake]
VRP15	Diaphragm Bolt
VRP16	Diaphragm
VRP18	Diaphragm Nut
VRP19	Spring
VRP20	Adjustment Bolt
VRP21	Adjustment Bolt Pin
VRP22	Bottom Housing, VR202 Regulator
VRP24	Adjustment Knob
VRP25	Adjustment Collar
VRP36G	Seal (Green - New Style)
VRP42	(2) Mounting Bracket for Aluminum Extrusion
VRP52	Diaphragm Plate

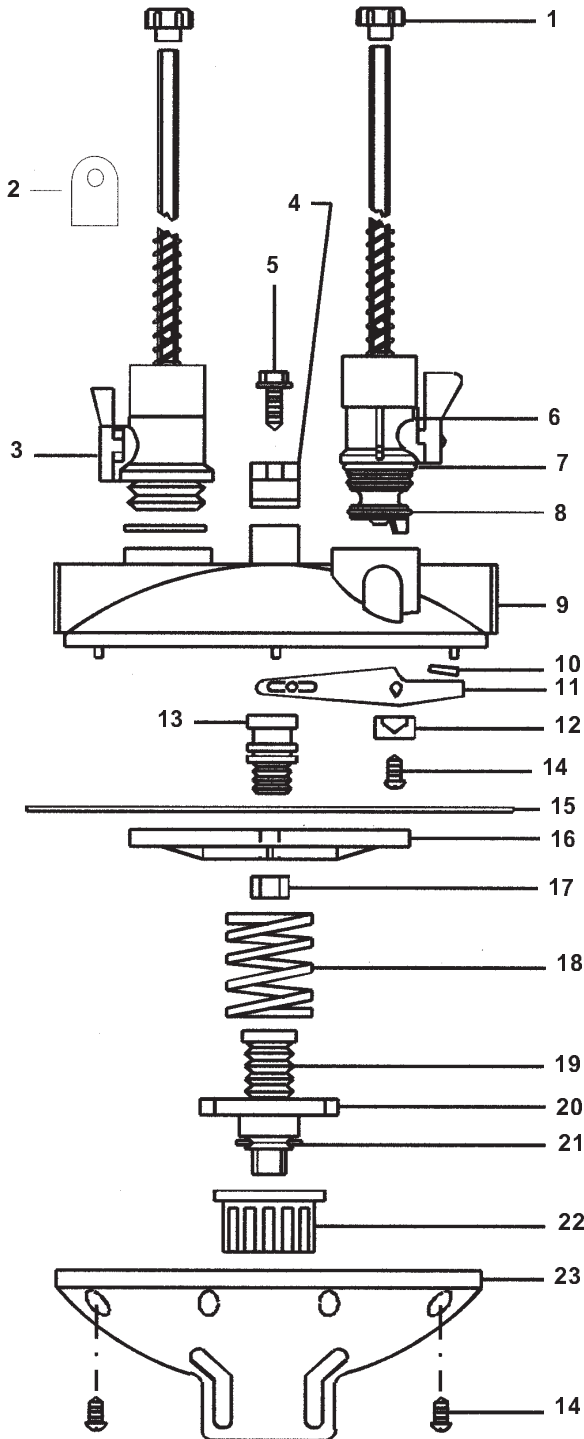
IMPORTANT!
 SEE PAGE 22-30 FOR PROPER
 INSTALLATION OF REGULATOR WITH
 RFV160K 3-POSITION INTAKE.

VR-203
V-MAX REGULATOR KIT



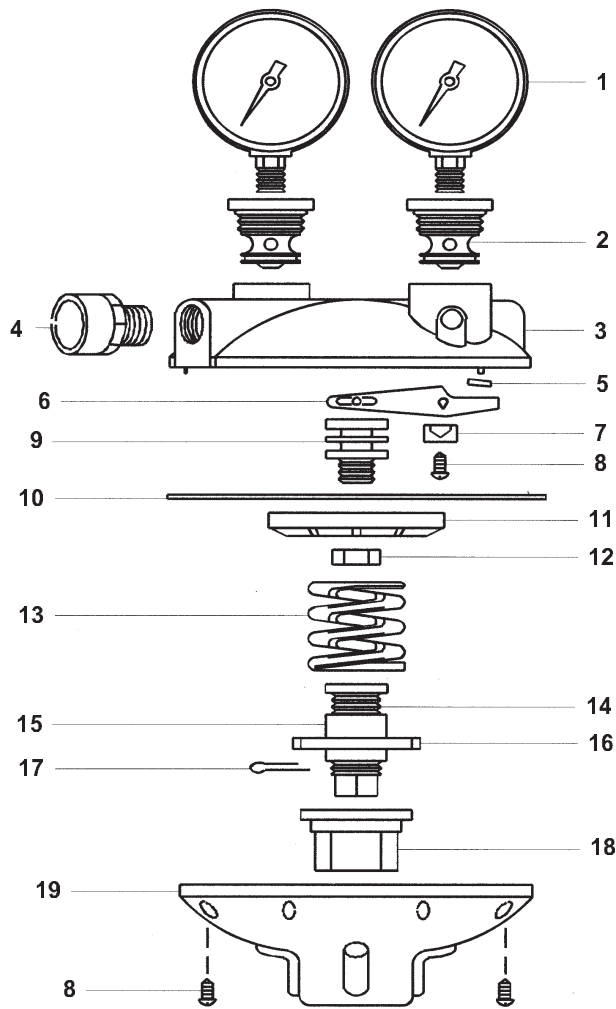
KEY	PART #	DESCRIPTION
1	VC025	Auto Shutoff Cap for Flex Standpipe
2	VRP42	Set of 2 Mounting Brackets for Aluminum Extrusion
3		Standpipe - See standpipe info on pages 22-24 thru 22-27.
4	VO145	O-Ring for 3/4" Couplings
5	VRP06	Pipe Clamp
6	VRP05-1	Screws for Pipe Clamp & Filter Bracket
7	VF204C	Hose Clamp for 3/8" Urethane
8	VRP48	PVC Yellow Reinforced Hose 3/8" 200 PSI (Drop Hose)
9	VRP45	1/2" Threaded Male Hose Connector (3/8" Barb)
10	VRP09	1/2" NPT Intake with Shutoff
	VRP09L	1/2" NPT Low Press Intake with S/O
11	VRP119	O-Ring for Bottom of RVH114
12	VRP23	Top Housing
13	VRP36G	Rubber Wafer Placement - Green/New Style
14	VRP12G	Pivot - New Style
15	VRP15	Diaphragm Bolt
16	VRP13	Pivot Brackets (Multiples of 2)
17	VRP14	Screw - 2 for Pivot Bracket or 9 for Bottom Housing
18	VRP16	Diaphragm
19	VRP52	Diaphragm Plate
20	VRP18	Diaphragm Nut
21	VRP19	Spring
22	VRP20	Adjustment Bolt
23	VRP25	Adjustment Collar
24	VRP21	Adjustment Bolt Pin
25	VRP24	Adjustment Knob
26	VRP22	Bottom Housing

VR-204
V-MAX REGULATOR KIT



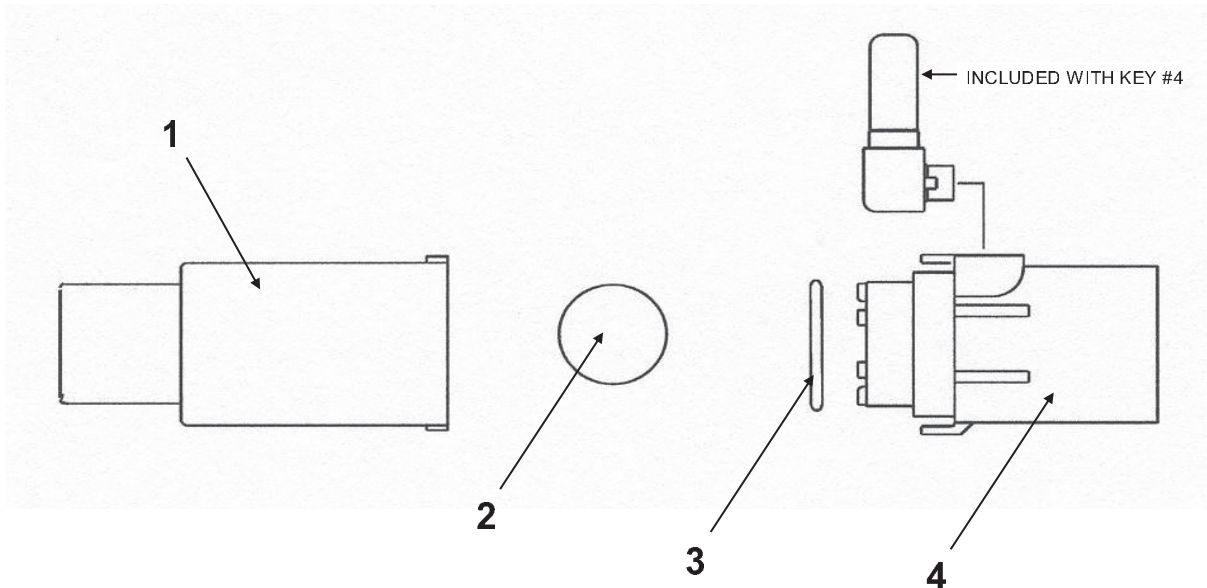
KEY	PART #	DESCRIPTION
1	VC025	Auto Shutoff Cap for Flex Standpipe
2	VRP42	Set of 2 Mounting Brackets for Aluminum Extrusion
3		Standpipe - See standpipe info on pages 22-24 thru 22-27.
4	VRP06	Pipe Clamp
5	VRP05-1	Screws for Pipe Clamp & Filter Bracket
6		Standpipe - See standpipe info on pages 22-24 thru 22-27.
7	VO145	O-Ring for 3/4" Couplings
8	VRP31	O-Ring Seal
9	VRP32	Top Housing
10	VRP36G	Rubber Wafer Replacement - Green/New Style
11	VRP12G	Pivot - New Style
12	VRP13	Pivot Brackets (Multiples of 2)
13	VRP15	Diaphragm Bolt
14	VRP14	Screw - 2 for Pivot Bracket or 9 for Bottom Housing
15	VRP16	Diaphragm
16	VRP52	Diaphragm Plate
17	VRP18	Diaphragm Nut
18	VRP19	Spring
19	VRP20	Adjustment Bolt
20	VRP25	Adjustment Collar
21	VRP21	Adjustment Bolt Pin
22	VRP24	Adjustment Knob
23	VRP22	Bottom Housing

**VR-205
 V-MAX REGULATOR KIT**



KEY	PART #	DESCRIPTION
1	VG100	Oil Filled Pressure Gauge (0-100 PSI)
2	VRP57	Gauge Intake
3	VRP58	Top Housing
4	VT131	3/4" PVC Male Adapter SX Thread
5	VRP36G	Rubber Wafer Replacement - Green/New Style
6	VRP12G	Pivot - New Style
7	VRP13	Pivot Brackets
8	VRP14	Screw - 2 for Pivot Bracket or 9 for Bottom Housing
9	VRP15	Diaphragm Bolt
10	VRP51	Diaphragm
11	VRP52	Diaphragm Plate
12	VRP18	Diaphragm Nut
13	VRP53	Spring
14	VRP20	Adjustment Bolt Pin
15	VRP50	Diaphragm Spacer
16	VRP25	Adjustment Collar
17	VRP21	Adjustment Bolt Pin
18	VRP55	Adjustment Knob
19	VRP54	Bottom Housing

VR209 REGULATOR



KEY	PART #	ITEM DESCRIPTION
1	VRP90	Left Housing with Stainless Steel Seat (SS Ball NOT Included) Note: This part may be used in place of Left Housing & Plunger on Note: VR208 Regulator to convert to New Style VR209 Regulator.
2	VRP94	Stainless Steel Ball Only - 18MM 440CSS, Grade 25
3	VO145	O-Ring for 3/4" Couplings
4	VRP84	Slope Regulator - Right